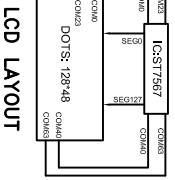
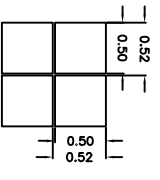
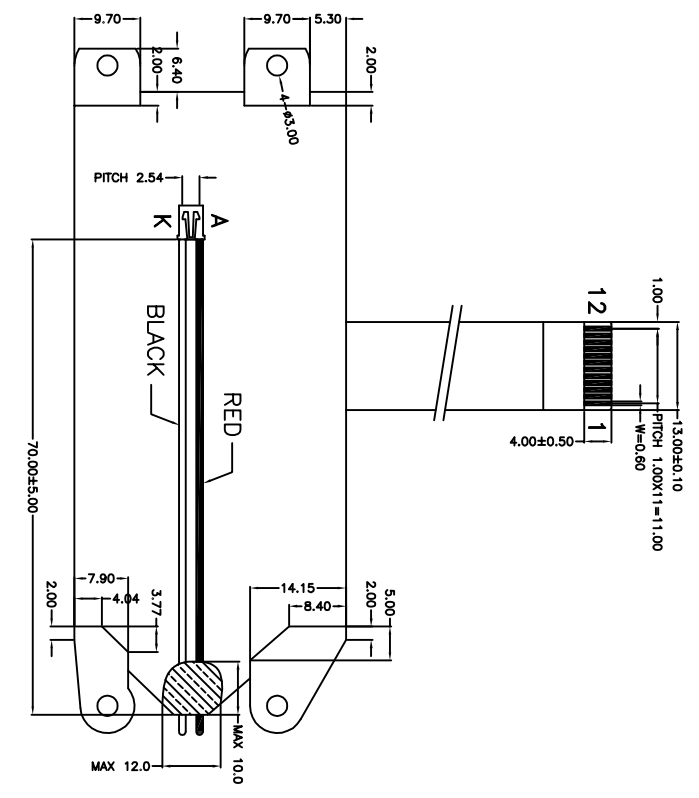
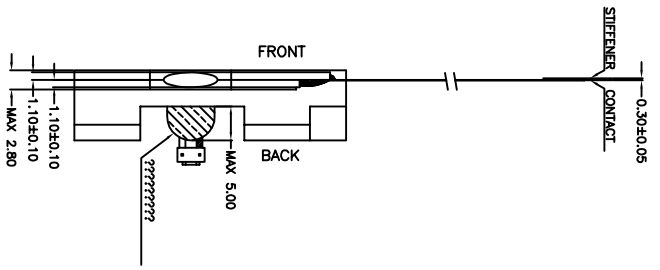
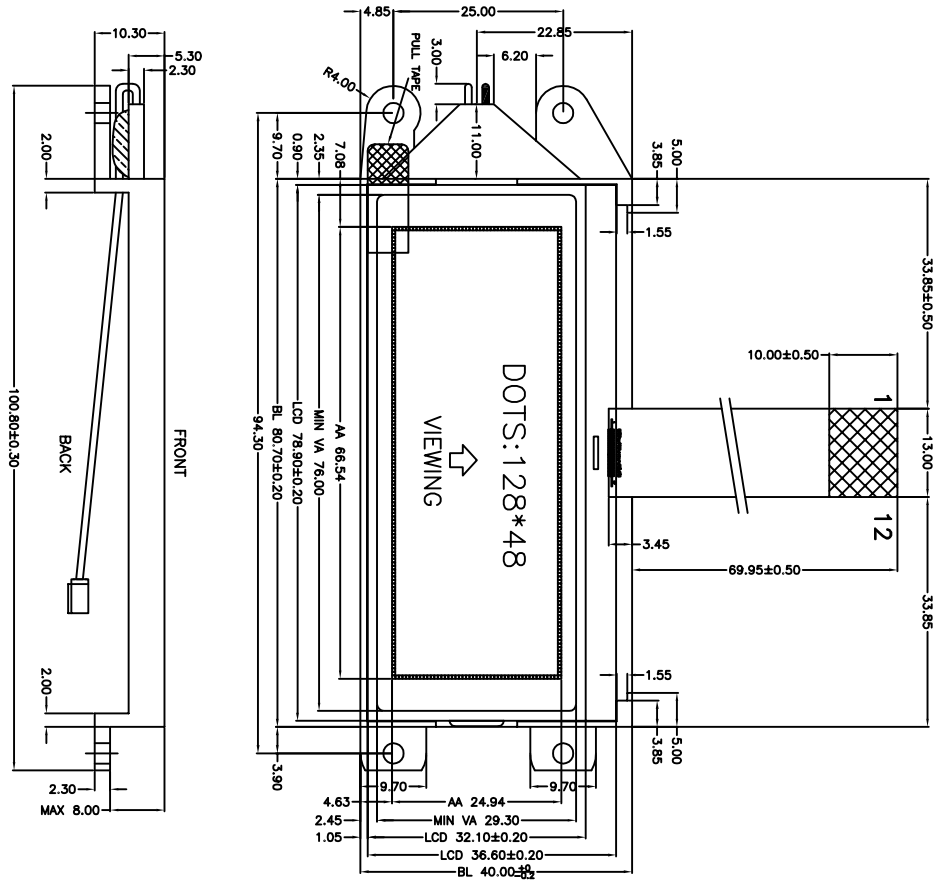


REV.	DESCRIPTION	REVISER	DATE
A0	First Issue	luojinwei	2015.11.30



PIN	SYMBOL
1	VSS
2	VG
3	XV0
4	V0
5	VSS
6	VDD
7	SI
8	SCLK
9	RS
10	/RES
11	/CS1
12	VSS

Specifications:

1. Display Mode: FSTN/Transflective/Positive
2. Viewing Angle: 6 0'clock.
3. Drive Method: 1/48 Duty, 1/8 Bias, Vop=8.0V, Vdd=3.0V.
4. Top: -10°C~+60°C, Tst: -20°C~+70°C.
5. Connector: COG+FPIC.
6. Drive IC: ST7567
7. Backlight: 1PCS White LED, If=15mA & Vf=3.0±0.10V
8. With " * " Mark Dimensions Are Important Dimensions.

深圳市科飞研科技有限公司

Unspecified Tolerance: ±0.20	UNITS: mm	DATE: 2015.11.30	MODEL NUMBER: 12848-02	SHEET: 1 OF 1
DESIGN BY: luojinwei	CHECKED BY:	DATE: 2015.11.30	DO NOT SCALE THIS DRAWING.	DATE: 2015.11.30
PROJECTION				