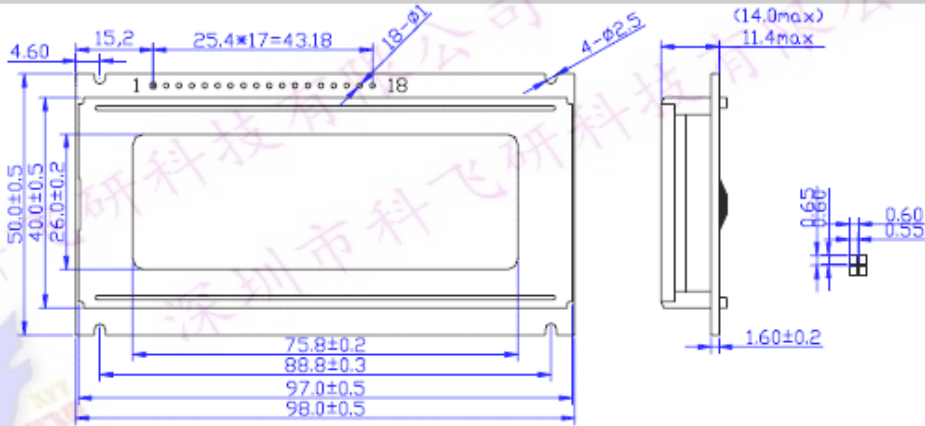


G12032A(Q)



*120X32DOTS *1/32Duty 1/6 Bias Green-Blue mode STN Transflective +3V or +5V Single Power

EXTERNAL DIMENSIONS AND DISPLAY PATTERN



PIN CONNECTION

MECHANICAL DATA (Nominal dimensions)	
module size	98.0Wx50.0Hx11.4(14.0)D mm
Effective display area	75.0Wx26.0H mm
Dots pitch	0.55Wx0.60H mm
Dot size	0.60Wx0.65H mm
Weight	Approx 14 g
ABSOLUTE MAXIMUM RATINGS min max	
Power supply voltage(Vdd-Vss)	0 7.0V
LCD-drive Voltage(Vdd-V0)	0 5.0V
Input voltage(Vi)	Vss Vdd V
Operating temperature(Ta)	0 60°C
Storage temperature(Tstg)	-10 70°C
ELECTRICAL CHARACTERISTICS min max	
Ta=25°C, Vdd=5.0V±0.25V	
Input 'high' voltage(ViH)(V)	0.8Vdd Vdd
Input 'low' voltage(ViL)(V)	Vss 0.2Vdd
Power supply current(Idd)(uA)	2.4uA
Drive method	1/32Duty 1/6bias

Pin No.	Symbol	Level	Function
1	VSS	0V	Ground
2	VDD	5v	Power supply
3	VEE	—	Power supply for LCD
4	A0	H/L	Read/Write enable signal(slave)
5	R/W	H/L	Read/Write select signal(Slave)
6	E1	H/L	
7	E2	H/L	
8	NC	—	
9	DB0	—	Data bus line *
10	DB1	—	
11	DB2	—	
12	DB3	—	
13	DB4	—	
14	DB5	—	
15	DB6	—	
16	DB7	—	
17	LED+	—	Power supply for LED
18	LED-	—	Power supply for LED

BLOCK DIAGRAM

