

G12232-26	122 DOTS×32 DOTS	1/32 DUTY	1/6 BIAS
------------------	-------------------------	------------------	-----------------

FEATURE:

LCD TYPE	STN/FSTN
LCD BACKLIGHT TYPE	---
LCM CONTROLLER IC	BUILT IN SED1520 OR EQUIVALENT
POWER SUPPLY FOR LCM	DC +5.0V
LED BACKLIGHT INPUT	DC +5.0V
EL BACKLIGHT INPUT	----
EL INVERTER	----
FL BACKLIGHT INPUT	-
FL INVERTER	-
LCM DIMENSION	76.6×28.0×13.0 mm
LCM VIEWING AREA	60.0×18.0 mm
LCD DOT SIZE	0.35×0.40 mm
LCD DOT PITCH	0.39×0.44 mm

3.ABSOLUTE MAXIMUM RATINGS:

ITEM	SYM	MIN	TYP	MAX	UNIT
OPERATING TEMP.	Top	-20	-	+70	
STORAGE TEMP.	Tst	-30	-	+80	
INPUT VOLTAGE	Vi	Vss	-	VDD	V
SUPPLY VOL. FOR LOGIC	VDD-Vss	-	5.0	6.5	V
SUPPLY VOL. FOR LCD	VDD-Vo	-	-	6.5	V

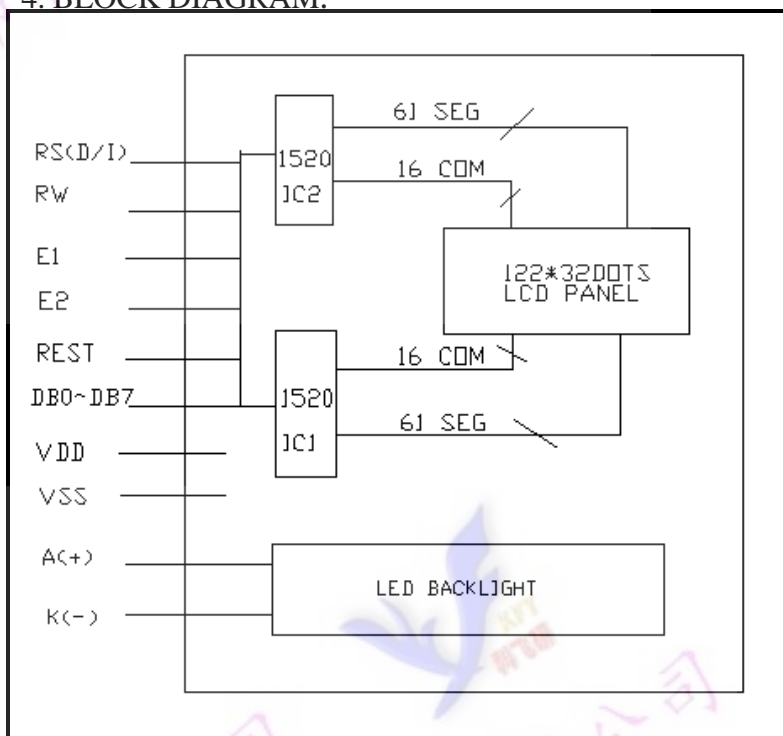
5.INTERFACE PIN CONNECTIONS:

NO	SYM	LEVEL	FUNCTION
1	VDD	-	+5V
2	VSS	-	0V
3	Vo	-	CONTRAST ADJ.
4	RES	L	RESET SIGNAL
5	E1	H,H→L	Chip select for IC1
6	E2	H,H→L	Chip select for IC2
7	R/W	H/L	H:READ(LCM MPU) L:WRITE(MPU LCM)
8	RS	H/L	H:DATA, L:INSTRUCTION CODE
9	DB0	H/L	DATA BIT0
10	DB1	H/L	DATA BIT1
11	DB2	H/L	DATA BIT2
12	DB3	H/L	DATA BIT3
13	DB4	H/L	DATA BIT4
14	DB5	H/L	DATA BIT5
15	DB6	H/L	DATA BIT6
16	DB7	H/L	DATA BIT7
17	A(+)	+5.0V	BACKLIGHT(+)
18	K(-)	0V	BACKLIGHT(-)

2.ELECTRICAL CHARACTERISTICS:

ITEM	SYM	CONDITION	MIN	TYP	MAX	UNIT
SUPPLY VOLTAGE FOR LOGIC	VDD-Vss	Ta = 2 5	-	5.0	5.5	V
SUPPLY VOLTAGE FOR LCD DRIVER	VDD-Vss	Ta = 2 5	-	-	-	V
OPERATING VOL. FOR LCD MODULE	VDD-Vo	Ta = 2 5	-	5.8	-	V
INPUT HIGH VOL.	VIH	-	2.2	-	VDD	V
INPUT LOW VOL.	VIL	-	0	-	0.6	V
SUPPLY CURRENT FOR LOGIC	IDD	VDD=5.0V	-	3.0	4.5	mA
SUPPLY CURRENT FOR LCD	ILCD	-	-	-	6.0	mA
LED CURRENT	IF	Ta = 2 5	-	200	-	mA
LED CURRENT	IF	Ta = 2 5	-	200	-	mA
LED DISSIPATION	Pd	Ta = 2 5	-	1000	-	mW

4. BLOCK DIAGRAM:



6.DIMENSIONAL DRAWING :

