

G128128-1	128 DOTS×128 DOTS	1/128 DUTY	1/12 BIAS
------------------	--------------------------	-------------------	------------------

FEATURE:

LCD TYPE	STN/FSTN
LCM BACKLIGHT TYPE	EL/FL /LED BACKLIGHT
LCM CONTROLLER IC	BUILT IN T6963C OR EQUIVALENT
POWER SUPPLY FOR LCM	DC +5.0V
LED BACKLIGHT INPUT	DC +5.0V
EL BACKLIGHT INPUT	
EL INVERTER	
FL BACKLIGHT INPUT	
FL INVERTER	
LCM DIMENSION	85.0×100.0×10.5(14.0) mm
LCM VIEWING AREA	62.0×62.0 mm
LCD DOT SIZE	0.39×0.39 mm
LCD DOT PITCH	0.43×0.43 mm

3.ABSOLUTE MAXIMUM RATINGS:

ITEM	SYM	MIN	TYP	MAX	UNIT
OPERATING TEMP.	TOP	-20	-	+70	
STORAGE TEMP.	TST	-30	-	+80	
INPUT VOLTAGE	VI	VSS	-	VDD	V
SUPPLY VOL. FOR LOGIC	VDD-VSS	-	-	7.0	V
SUPPLY VOL. FOR LCD	VDD-VEE	15.0	-	-	V

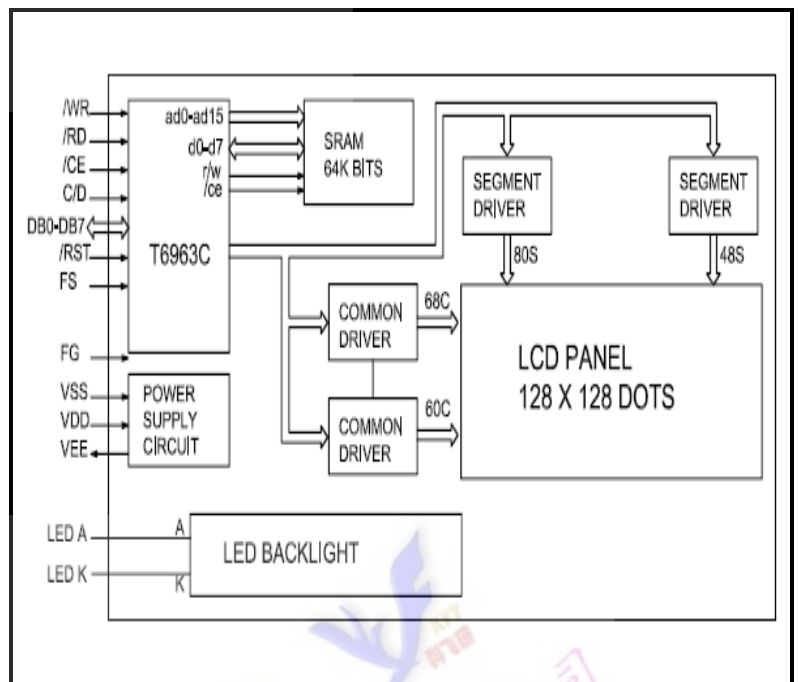
5.INTERFACE PIN CONNECTIONS:

NO	SYM	LEVEL	FUNCTION
1	FG	-	FRAME GROUND
2	VSS	-	0V
3	VDD	-	+5V
4	VO	-	CONTRAST ADJ.
5	WR	L	WRITE SIGNAL
6	RD	L	READ SIGNAL
7	CE	L	CHIP ENABLE SIGNAL
8	C/D	H/L	WR=L,C/D(H:COMMAND WRITE,L:DATA WRITE)
9	NC	-	---
10	RES	L	CONTROLLER RESET
11	DB0	H/L	DATA BIT0
12	DB1	H/L	DATA BIT1
13	DB2	H/L	DATA BIT2
14	DB3	H/L	DATA BIT3
15	DB4	H/L	DATA BIT4
16	DB5	H/L	DATA BIT5
17	DB6	H/L	DATA BIT6
18	DB7	H/L	DATA BIT7
19	FS	H/L	CONNECT TO VDD6×8DOTS(TO VSS 8×8DOTS)
20	VEE	-	NEGATIVE VOLTAGE INPUT (-10.0V)
21	LED(+)	---	LED BACKLIGHT +5.0V
22	LED(-)	---	LED BACKLIGHT 0V

2.ELECTRICAL CHARACTERISTICS:

ITEM	SYM	CONDITION	MIN	TYP	MAX	UNIT
SUPPLY VOLTAGE FOR LOGIC	VDD-VSS	Ta = 2 5	4.75	5.0	5.25	V
SUPPLY VOLTAGE FOR LCD DRIVER	VEE-VSS	Ta = 2 5	-	-	-5.0	V
OPERATING VOL. FOR LCD MODULE	VDD-VO	Ta = 2 5	-	13.0	-	V
INPUT HIGH VOL.	VIH	-	0.7VDD	-	VDD	V
INPUT LOW VOL.	VIL	-	0	-	0.3VDD	V
SUPPLY CURRENT FOR LOGIC	IDD	VDD=5.0V	-	-	15.0	mA
SUPPLY CURRENT FOR LCD	ILCD	VO=-8.0V	-	-	20.0	mA
LED CURRENT	IF	Ta = 2 5	-	100	-	mA
LED DISSIPATION	Pd	Ta = 2 5	-	500	-	mW

4. BLOCK DIAGRAM:



6.DIMENSIONAL DRAWING :

