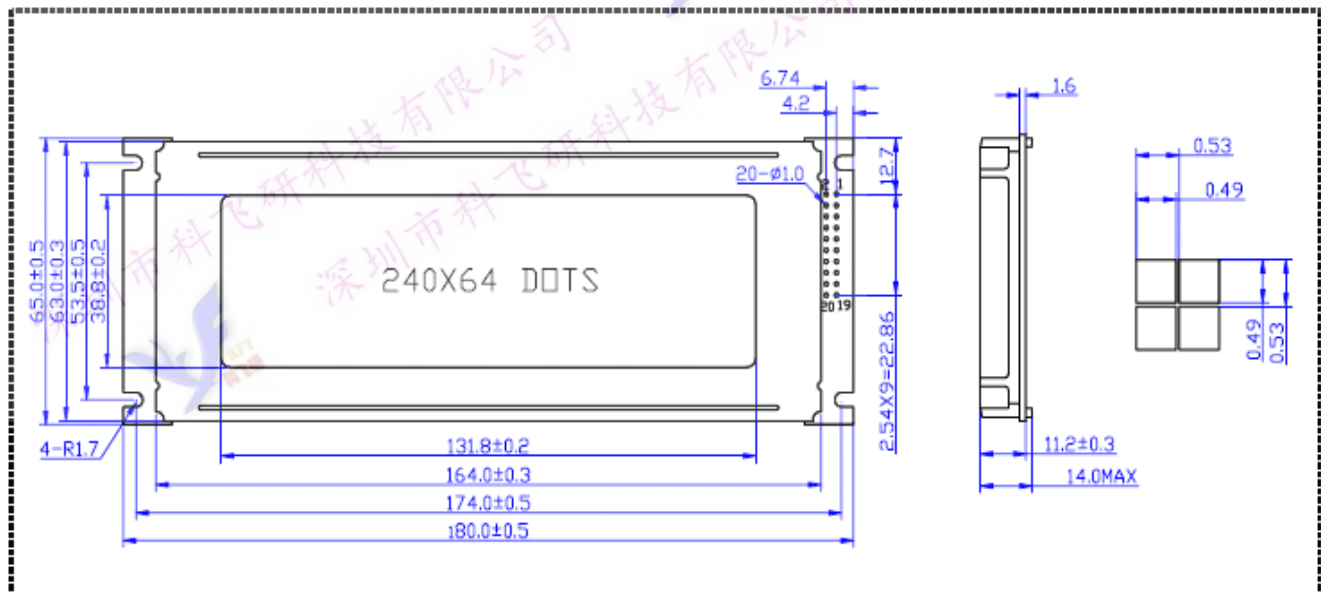


# G24064C(Q)



## MECHANICAL DATA

| Item               | Nominal Dimensions | Unit |
|--------------------|--------------------|------|
| Module Size(W×H×T) | 180.0×65.0×14.0    | mm   |
| Viewing Area(W×H)  | 131.8×38.8         | mm   |
| Dot Pitch(W×H)     | 0.53×0.53          | mm   |
| Dot Size(W×H)      | 0.49×0.49          | mm   |

## PIN CONNECTIONS

| PIN | Symbol   | Level | Function  |
|-----|----------|-------|---|
| 1   | FG       | —     | GND(0V)   |
| 2   | GND      | —     | GND(0V)   |
| 3   | VDD      | —     | Supply Voltage for Logic(+5V)                       |
| 4   | NC       | —     | NO Connect  |
| 5   | RW/SID   | H/L   | H: Read; L: Write(Parallel)/Data(Serial)            |
| 6   | E1/SCLK1 | H/L   | Upper Screen: Enable Signal(Parallel)/ Serial Clock |
| 7   | E2/SCLK2 | H/L   | Under Screen: Enable Signal(Parallel)/ Serial Clock |
| 8   | RS/CS    | H/L   | H: Data; L: Instruction Code/Chip select            |
| 9   | NC       | —     | NO Connect  |
| 10  | /RST     | L     | Reset Signal (Active LOW)                           |
| 11  | DB0      | H/L   | Data Bus Line                                       |
| 12  | DB1      | H/L   |   |
| 13  | DB2      | H/L   |   |
| 14  | DB3      | H/L   |   |
| 15  | DB4      | H/L   |   |
| 16  | DB5      | H/L   |   |
| 17  | DB6      | H/L   |   |
| 18  | DB7      | H/L   |   |
| 19  | LEDK     | —     | Backlight Power (0V)                                |
| 20  | LEDA     | —     | Backlight Power (+5V)                               |

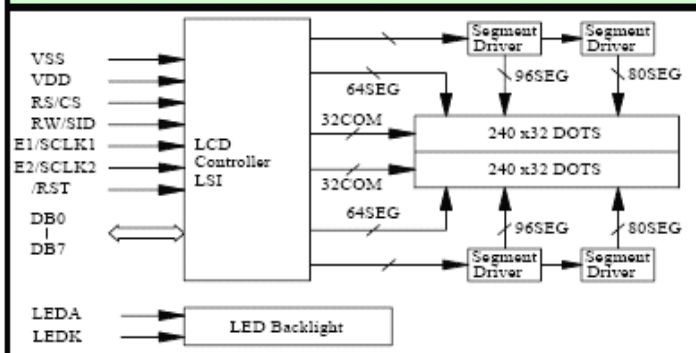
## ABSOLUTE MAXIMUM RATINGS

| Item              | Symbol           | Min | Type | Max | Unit |
|-------------------|------------------|-----|------|-----|------|
| Operating Voltage | VDD              | 4.5 | 5.0  | 5.5 | V    |
| Operating Current | IDD              | 2.5 | 3.2  | 4.0 | mA   |
| LED Voltage       | V <sub>LED</sub> | 4.5 | 5.0  | 5.5 | V    |
| LED Current       | I <sub>LED</sub> | 220 | 250  | 300 | mA   |
| Operating Temp.   | T <sub>opr</sub> | -10 | —    | +55 | °C   |
| Storage Temp.     | T <sub>sto</sub> | -20 | —    | +65 | °C   |

## ELECTRICAL CHARACTERISTICS

| Item                | Symbol          | Min    | Type | Max | Unit |
|---------------------|-----------------|--------|------|-----|------|
| Input High Voltage  | V <sub>IH</sub> | 0.7VDD | —    | VDD | V    |
| Input Low Voltage   | V <sub>IL</sub> | 0      | —    | 0.6 | V    |
| Output High Voltage | V <sub>OH</sub> | 0.8VDD | —    | VDD | V    |
| Output Low Voltage  | V <sub>OL</sub> | 0      | —    | 0.4 | V    |

## BLOCK DIAGRAM



## POWER SUPPLY

