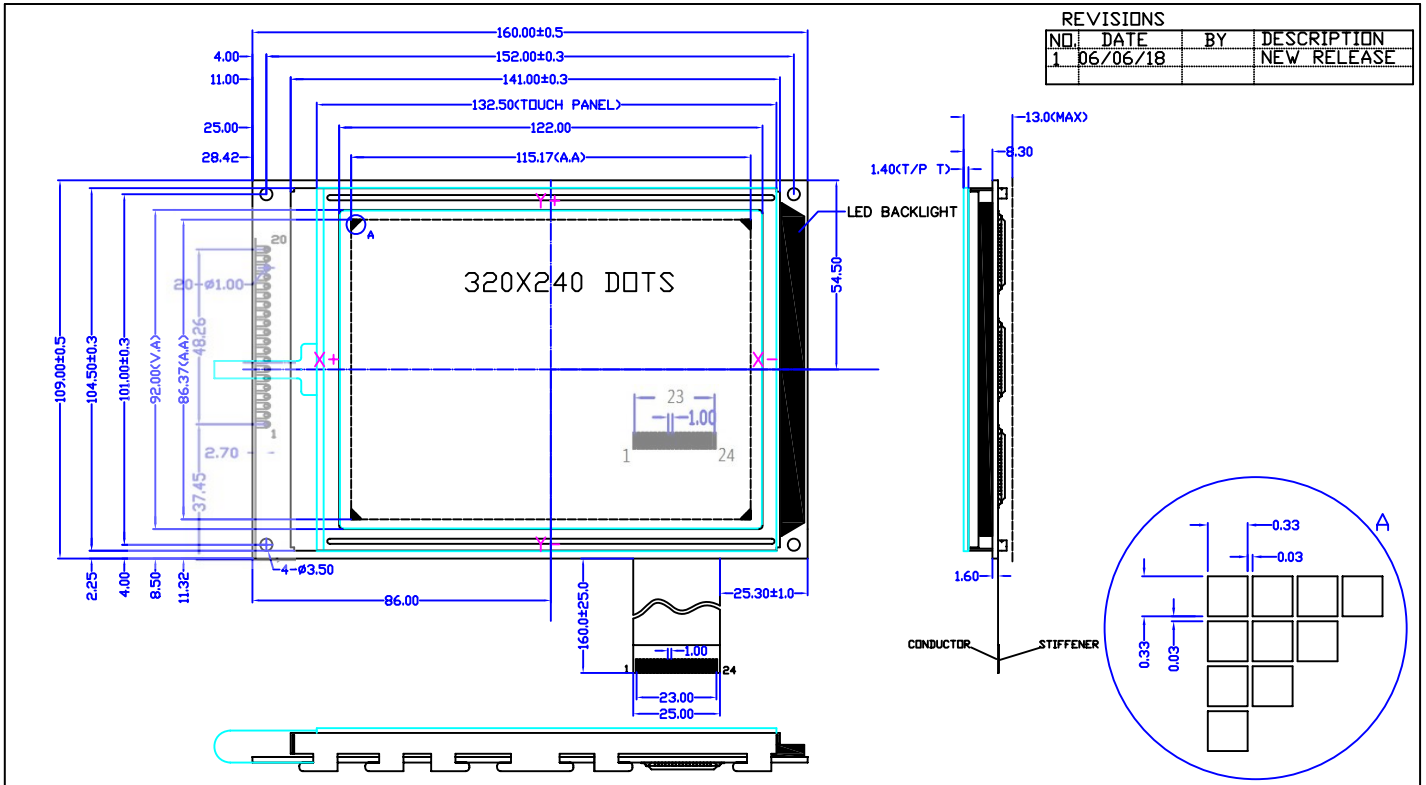


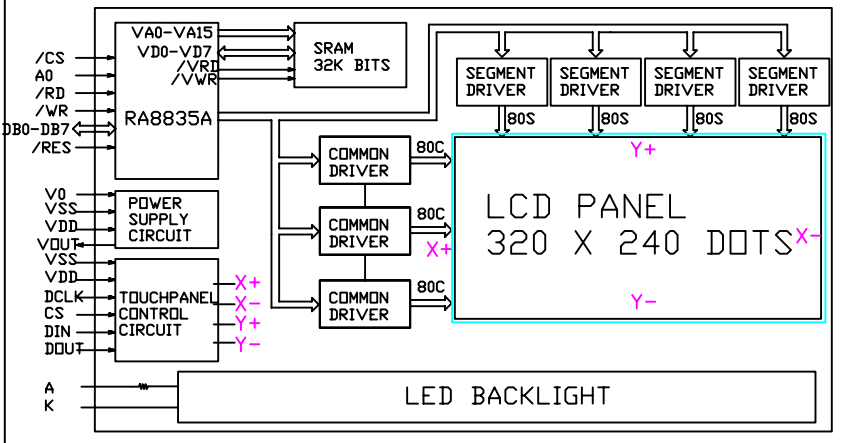
CUSTOMER'S APPROVED:

DATE:

REVISIONS			
NO.	DATE	BY	DESCRIPTION
1	06/06/18		NEW RELEASE



Block Diagram



Feature

1. BUILT IN CONTROLLER: RA8835
2. POWER SUPPLY: 5.0V
3. LCD TYPE: BLUE STN, TRANSMISSIVE
4. BACKLIGHT: LED SIDE BACKLIGHT
5. COLOUR OF BACKLIGHT: WHITE
6. 1/240 DUTY CYCLE, 1/16 BIAS
7. VIEWING ANGLE: 6 O'CLOCK
8. TEMPERATURE RANGE: EXTENDED L (-20--70)
9. LOW CONSUMPTION, LOW VOLTAGE, HIGH CONTRAST

Mechanical Data

ITEM	SPECIFICATION	UNIT
OVERALL SIZE	160.0H x 109.0H x 13.0T	MM
VIEWING AREA	122.0H x 92.0H	MM
DOT NUMBER	320 x 240	DOTS
DOT SIZE	0.33W x 0.33H	MM
DOT PITCH	0.36W x 0.36H	MM

FFC Pin Assignment

NO.	SYSBOL	DESCRIPTION
1	/RST	RESET SIGNAL (LOW EFFECTIVE)
2	/RD	READ SIGNAL
3	/WR	WRITE SIGNAL
4	/CE	CHIP SELECTION
5	A0	COMMAND/DATA SELECT
6--13	DB0--DB7	DATA BUS
14	VDD	POWER SUPPLY FOR LOGIC AND LCD
15	VSS	GROUND
16	VOUT	NEGATIVE VOLTAGE INPUT/OUTPUT
17	V0	OPERATING VOLTAGE FOR LCD
18	SK	CLOCK (TP)
19	DO	DATA OUT (TP)
20	DI	DATA IN (TP)
21	CS	CHIP SELECT (TP)
22	IRQ	PEN INTERRUPT (TP)
23	A	LED BACKLIGHT POWER SUPPLY (+)
24	K	LED BACKLIGHT POWER SUPPLY (-)

Absolute Maximum Rating

ITEM	SYMBOL	MIN	MAX	UNIT
POWER SUPPLY (LOGIC)	VDD-VSS	0	6.5	V
POWER SUPPLY (LCD DRV.)	VDD-V0	0	30.0	V
INPUT VOLTAGE	Vi	Vi	VDD	V

Electrical Characteristics

ITEM	SYMBOL	MIN	TYP	MAX	UNIT
VOLTAGE FOR LOGIC	VDD-VSS	4.75	5.0	5.25	V
SUPPLY CURRENT	IDD	-	12.0	-	mA
LCD OPERATING VOLTAGE	VDD-V0	0C	-	24.2	V
		25C	-	23.0	V
		40C	-	22.4	V
INPUT VOLTAGE	H	0.7VDD	-	VDD	V
	L	0	-	0.3VDD	V

G320240A



Pin Assignment (焊孔)

NO.	SYSBOL	DESCRIPTION
1	VSS	GROUND
2	VDD	POWER SUPPLY FOR LOGIC AND LCD
3	V0	OPERATING VOLTAGE FOR LCD
4	/WR	WRITE SIGNAL
5	/RD	READ SIGNAL
6	/CE	CHIP ENABLE FOR RA8835
7	A0	COMMAND/DATA SELECTION
8	/RST	RESET SIGNAL (LOW EFFECTIVE)
9--16	DB0--DB7	DATA BUS
17	LEDA	LED BACKLIGHT POWER SUPPLY(+)
18	VOUT	NEGATIVE VOLTAGE INPUT/OUTPUT
19	LEDA	LED BACKLIGHT POWER SUPPLY(+)
20	LEDK	LED BACKLIGHT POWER SUPPLY(-)